



Jin Global
Jinghui Hardware Co., Ltd.

PRODUCT CATALOGUE 2026

Premium Hardware Behind Everyday Fashion



jinglobal.co



About us

Our Story

Our story begins in **Guangzhou, China**, where our parent facility, **Jinghui Hardware**, has been crafting custom hardware for bags, backpacks & luggage for over 20 years.

In 2025, we took a strategic step by establishing **Jin Global in the Netherlands**. This dual-presence allows us to seamlessly bridge our manufacturing excellence in Asia with the complex design, communication, and eco-compliance (REACH/RoHS) needs of our European and global partners.

What We Offer

Metal hardware remains at the center of our work. Accessories such as charms straps are natural extensions of our core capabilities.

Leveraging our reliable supply chain and international experience, we deliver solutions that unlock your products' full potential.

Design | Custom Project | OEM | ODM

Raw Materials

ZAMAK (ZINC ALLOY) IS ECO-FRIENDLY & 100% RECYCLABLE.



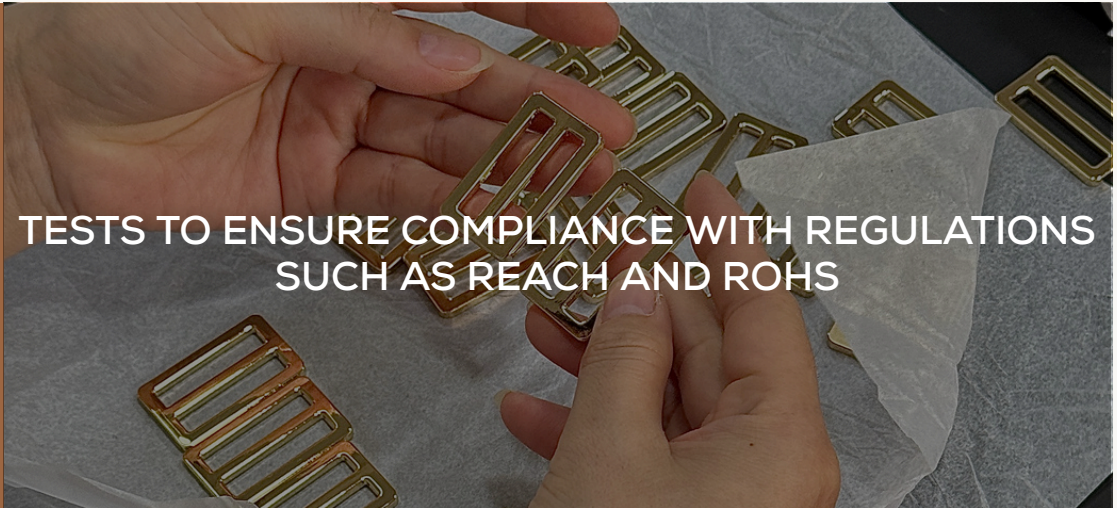
Surface Finishes

MULTIPLE OPTIONS TO PREVENT CORROSION & IMPROVE AESTHETICS



Quality Control

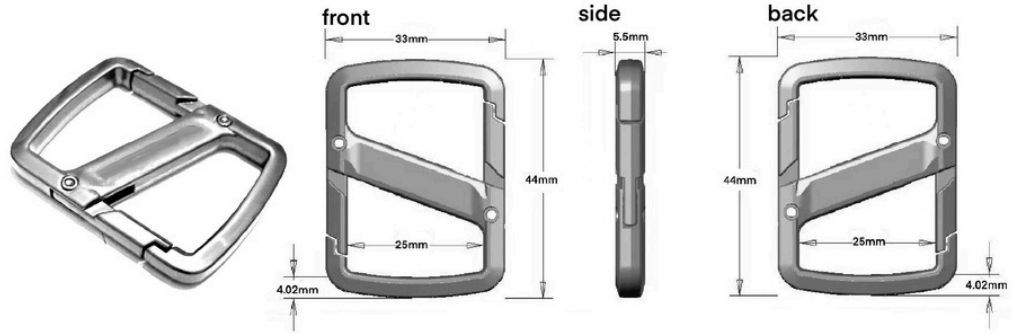
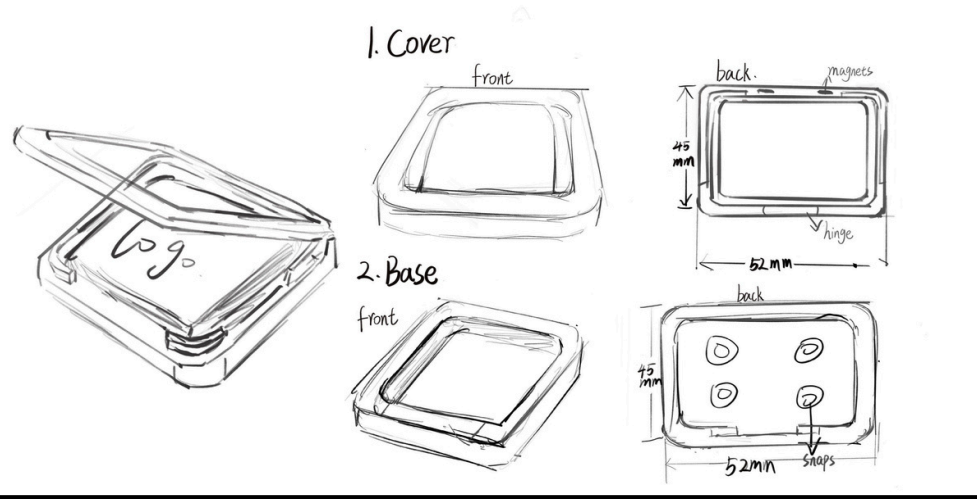
TESTS TO ENSURE COMPLIANCE WITH REGULATIONS SUCH AS REACH AND ROHS



Staff Care

WE ARE COMMITTED TO A SAFE AND FAIR WORKPLACE, WITH ONGOING IMPROVEMENTS IN EMPLOYEE WELL-BEING.





Research & Development

✓ Reach Compliance



Our R&D covers two parallel directions:



Upgrading existing hardware & Developing new solutions through in-house and collaborative design efforts.

Both are grounded in manufacturing feasibility and long-term production stability.

Improving What Exists.
Creating What Comes Next

From Experience to Innovation

Building on decades of manufacturing experience, our research focuses on understanding key variables that affect quality, appearance, and performance.

We refine processes, raise quality standards, and validate improvements before scale.



At the same time, we actively participate in product development – translating validated insights and market needs into manufacturable, reliable metal components for bags, pet products, apparel, etc.





Sustainability & Responsibility

At Jin Global, sustainability is not a separate initiative or a marketing statement.

It is built into materials, processes, and decisions. It is a result of how we design, manufacture, and control our hardware products over time.

Materials

Our core products are based on Zamak zinc alloy, selected for its balance of strength, precision, and recyclability.

95% less energy to recycle than primary production.

Low-temperature casting (385°C) = Massive carbon reduction in Scope 3.

100% infinitely recyclable.

Environment

Significant focus has been placed on minimizing environmental impact by implementing a water purification system and high-efficiency suction systems. These upgrades ensure low emissions while maintaining a safe, healthy environment for our workforce.



People

Our production team is built on long-term technical experience rather than short-term labor rotation. Most of our employees have been with us since the beginning of our journey. We give great importance to safety and health in the workplace.



BUCKLES



2304

Material: Zamak 3/5 Zinc Alloy
Surface Finish: Rack Plating, Nickel

2723
Material: Zamak 3/5 Zinc Alloy
Surface Finish: Rack Plating, Satin Nickel



2500

Material: Zamak 3/5 Zinc Alloy
Surface Finish: E-Coating, Black

- Sizes:**
- 10mm (3/8")
 - 13mm (1/2")
 - 20mm (3/4")
 - 25mm (1")
 - 32mm (1¼")
 - 38mm (1½")
 - 50mm (2")

2503
Material: Zamak 3/5
Surface Finish: Rack Plating, Gold



BUCKLES



1610

Material: Zamak 3/5 Zinc Alloy

Surface Finish: Rack Plating, Gunmetal



2640

Material: Zamak 3/5 Zinc Alloy
Surface Finish: Rack Plating, Satin Nickel



2721

Material: Zamak 3/5 Zinc Alloy

Surface Finish: E-Coating, Black

- Sizes:**
- 10mm (3/8")
 - 13mm (1/2")
 - 20mm (3/4")
 - 25mm (1")
 - 32mm (1¼")
 - 38mm (1½")
 - 50mm (2")

2761
Material: Zamak 3/5 Zinc Alloy
Surface Finish: Rack Plating,
Gunmetal



BUCKLES

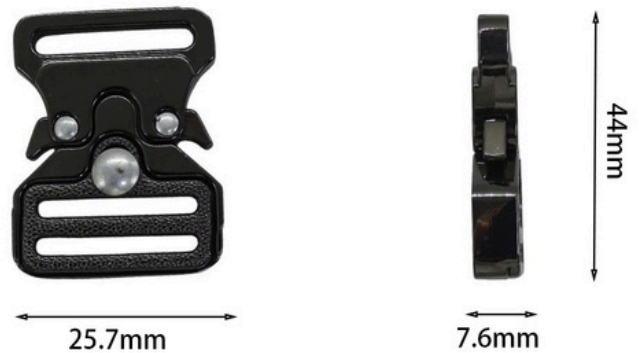


A1900

Material: Zamak 3/5 Zinc Alloy + PVC

Surface Finish: Rack Plating, Satin Nickel, Matt

A2716
Material: Zamak 3/5 Zinc Alloy
Surface Finish: E-Coating, Black



XHJ2020

Material: Zamak 3/5 Zinc Alloy + PVC

Surface Finish: Rack Plating, Gunmetal

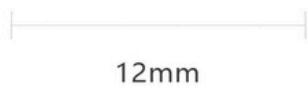
Sizes:

- 10mm (3/8")
- 13mm (1/2")
- 20mm (3/4")
- 25mm (1")
- 32mm (1 1/4")
- 38mm (1 1/2")
- 50mm (2")

XHJ1017
Material: Zamak 3/5 + PVC
Surface Finish: Rack Plating,
Gunmetal



RINGS



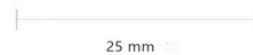
12mm



2.8 mm



13.5 mm



25 mm



2.5 mm

A937

Material: Zamak 3/5 Zinc Alloy
Surface Finish: Rack Plating, Gold

1539

Rack Plating, Gold



25mm



4.5 mm

26 mm

A193

Rack Plating, Gunmetal



25mm



3.0 mm

20 mm

5014

Material: Zamak 3/5 Zinc Alloy
Surface Finish: Rack Plating, Chrome



13.4 mm

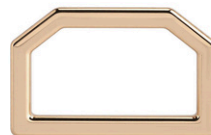


2.8 mm

15mm

2192

Rack Plating, Nickel



32mm



3.3 mm

25mm

2349

Rack Plating, Gold



38 mm



3.3 mm

18mm

1085

Rack Plating, Chrome

Sizes:

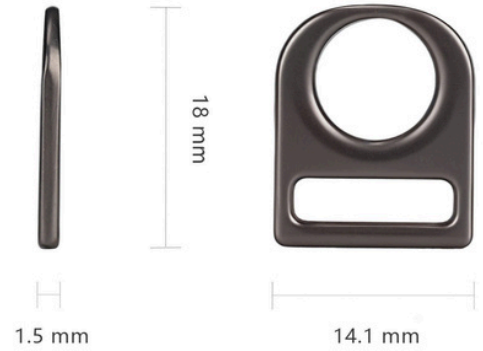
10mm (3/8"), 13mm (1/2"), 20mm (3/4"), 25mm (1"), 32mm (1¼"), 38mm (1½"), 50mm (2")

RINGS



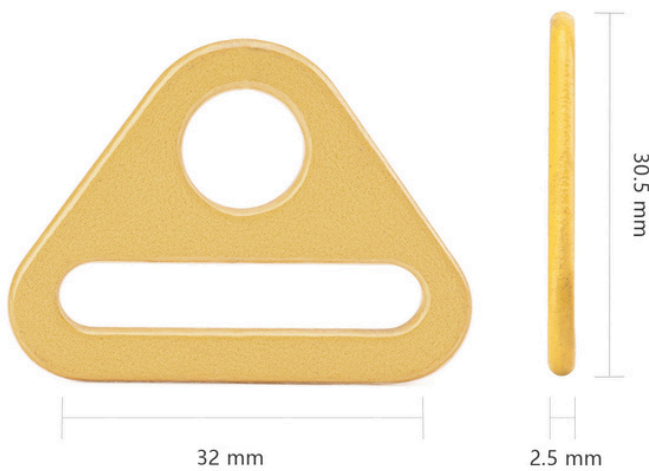
2030

Material: Zamak 3/5 Zinc Alloy
Surface Finish: Rack Plating, Nickel



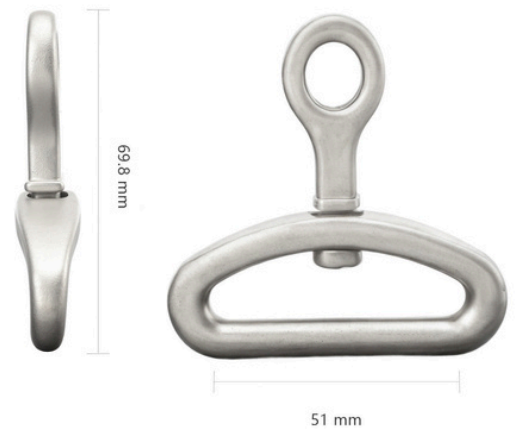
2143

Rack Plating, Gunmetal, Matt



114

Material: Zamak 3/5 Zinc Alloy
Surface Finish: Baked Enamel, Yellow



2147+2149

Barrel Plating, Nickel, Matt



2300

E-Coating, Black



2255

Rack Plating, Nickel



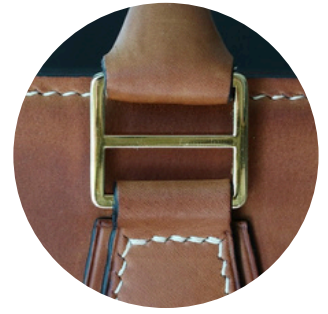
2882

Rack Plating, Gunmetal, Matt

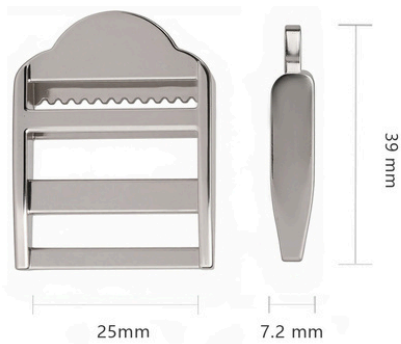
Sizes:

10mm (3/8"), 13mm (1/2"), 20mm (3/4"), 25mm (1"), 32mm (1¼"), 38mm (1½"), 50mm (2")

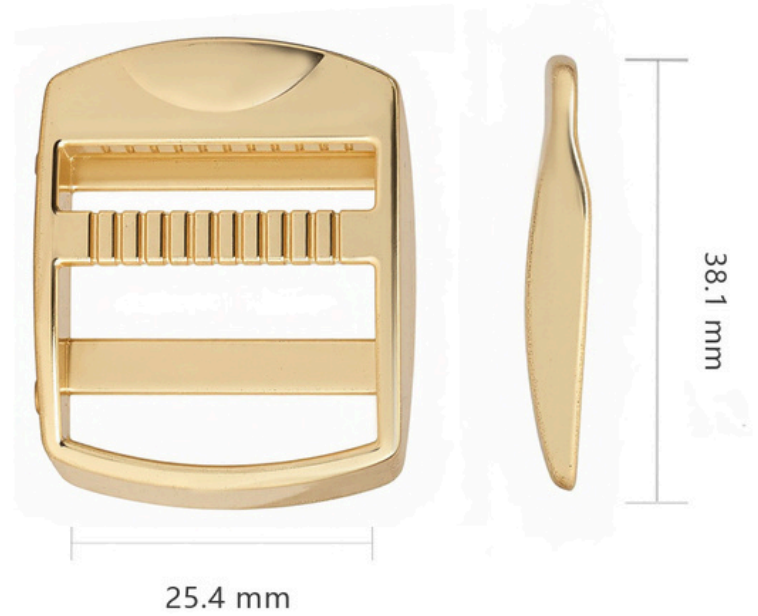
SLIDERS



A1834, E-Coating, Matt



2440, Rack Plating, Nickel



2778

Material: Zamak 3/5 Zinc Alloy
Surface Finish: Rack Plating, Gold, Matt



A1836

Material: Zamak 3/5 Zinc Alloy
Surface Finish: E-Coating, Black



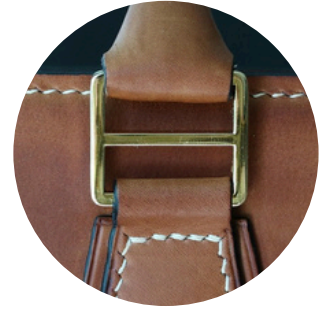
A1781, Rack Plating, Satin Chrome

2316
Rack Plating, Nickel

Sizes:

10mm (3/8"), 13mm (1/2"), 20mm (3/4"), 25mm (1"), 32mm (1¼"), 38mm (1½"), 50mm (2")

SLIDERS



2818

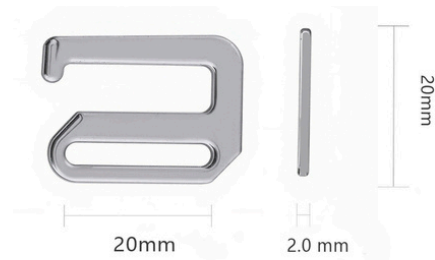
Material: Zamak 3/5 Zinc Alloy
Surface Finish: E-Coating, Black, Matt



2791

E-Coating, Black, Matt

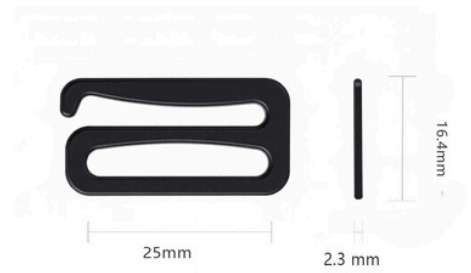
- Sizes:**
- 10mm (3/8")
 - 13mm (1/2")
 - 20mm (3/4")
 - 25mm (1")
 - 32mm (1¼")
 - 38mm (1½")
 - 50mm (2")



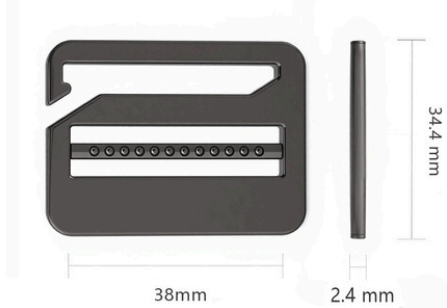
1450, Rack Plating, Nickel



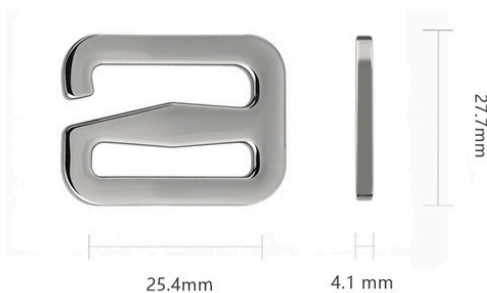
1655, E-Coating, Black, Matt



2522, E-Coating, Black, Matt



2424, Rack Plating, Gunmetal, Matt



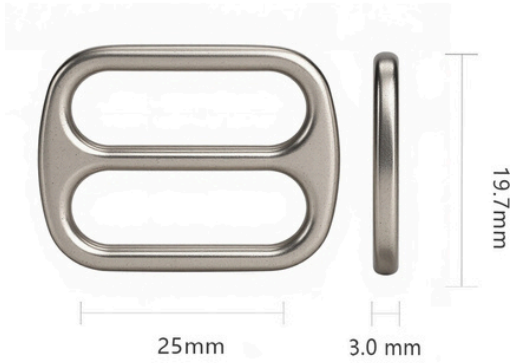
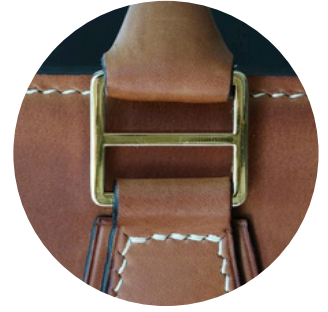
2383, Rack Plating, Chrome



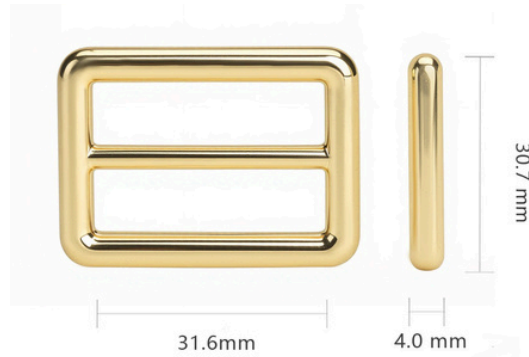
A2513

Material: Zamak 3/5 Zinc Alloy
Surface Finish: E-Coating, Black, Matt

SLIDERS

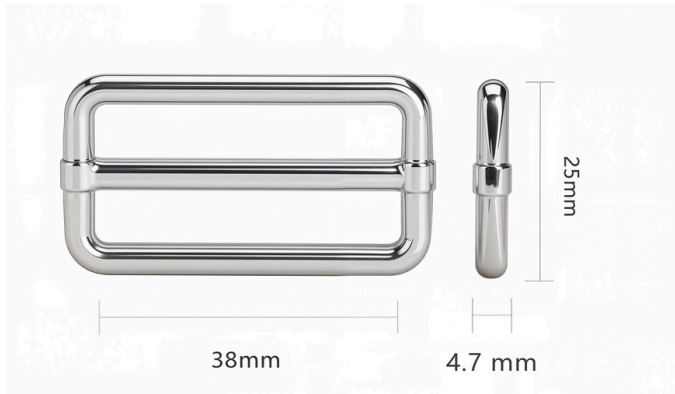


1522
Barrel Plating, Nickel, Matt

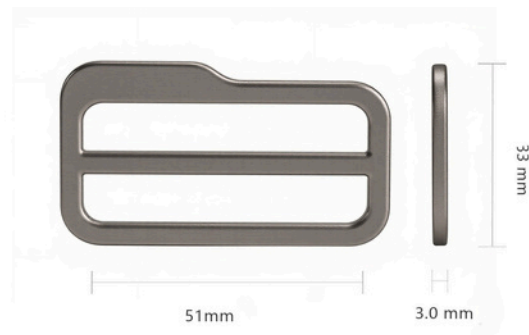


2769
Rack Plating, Gold

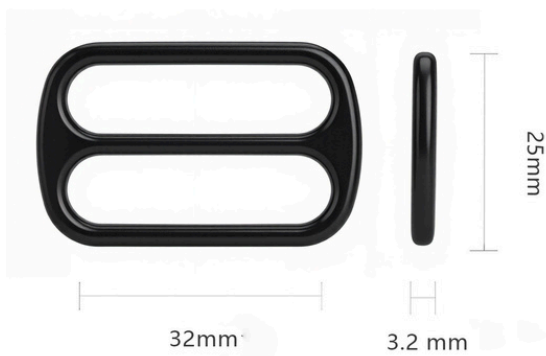
- Sizes:**
- 10mm (3/8")
 - 13mm (1/2")
 - 20mm (3/4")
 - 25mm (1")
 - 32mm (1¼")
 - 38mm (1½")
 - 50mm (2")



929
Rack Plating, Nickel



877
Barrel Plating, Gunmetal



2281
E-Coating, Black



1224
E-Coating, Black, Matt

SNAP HOOKS



38 mm



61.5mm

1078+117

Zamak 3/5

E-Coating, Black, Matt



A2216, Barrel
Plating, Nickel



186, Rack
Plating, Chrome

Sizes:

- 10mm (3/8")
- 13mm (1/2")
- 20mm (3/4")
- 25mm (1")
- 32mm (1¼")
- 38mm (1½")
- 50mm (2")



19.6 mm



47.4 mm

A1970

Zamak 3/5

Rack Plating, Gold



5028, E-Coating,
Black, Matt



A2580+A2595,
E-Coating, Black



12.8 mm



72.4 mm

A2599

Material: Zamak 3/5 Zinc Alloy
Surface Finish: Rack Plating, Nickel



27 mm



59.3 mm

A1853

Material: Zamak 3/5 Zinc Alloy
Surface Finish: E-Coating, Black

SNAP HOOKS



A1819

Material: Zamak 3/5 Zinc Alloy
Surface Finish; Baked Enamel, Beige

- Sizes:**
- 10mm (3/8")
 - 13mm (1/2")
 - 20mm (3/4")
 - 25mm (1")
 - 32mm (1¼")
 - 38mm (1½")
 - 50mm (2")



963, E-Coating, Black



A2754, Rack Plating, Gunmetal



A1909, Rack Plating, Gold



85+110

Material: Zamak 3/5 Zinc Alloy
Surface Finish: Barrel Plating, Nickel, Matt



A2031
Barrel Plating,
Brushed Gunmetal



A2482+A483
Barrel Plating,
Gunmetal



2156, E-Coating, Black

Visit jinglobal.co for more.

SNAP HOOKS



58 mm

345

Material: Zamak 3/5 Zinc Alloy
Surface Finish: Barrel Plating, Nickel

- Sizes:**
- 10mm (3/8")
 - 13mm (1/2")
 - 20mm (3/4")
 - 25mm (1")
 - 32mm (1¼")
 - 38mm (1½")
 - 50mm (2")



935

Rack Plating, Gunmetal



A2662

E-Coating, Black, Matt



A2312

E-Coating, Black, Matt



A2656+A2657

E-Coating, Black, Matt



A2645+A2650

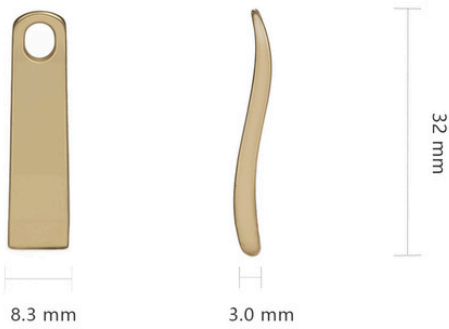
Barrel Plating, Nickel



262

Barrel Plating, Light Gold

ZIPPER PULLERS



560
Barrel Plating, Gold



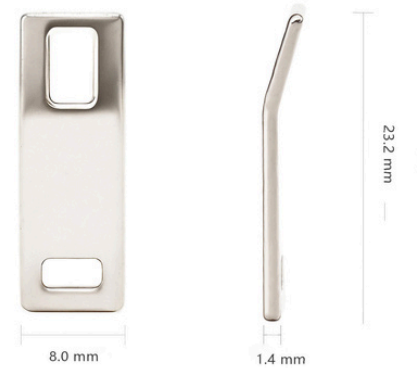
1593
Rack Plating, Gunmetal



A1905
Barrel Plating + TPU, Gunmetal



2529
Rack Plating, Chrome



A2088
Rack Plating, Nickel



855
Baked Enamel, Red

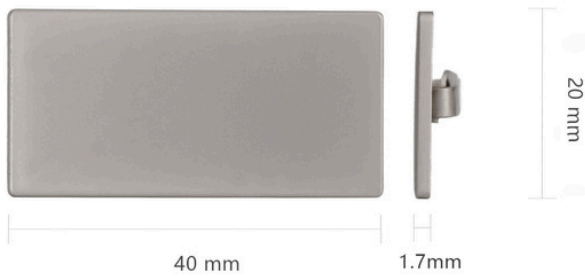


2290
Rack Plating, Gunmetal

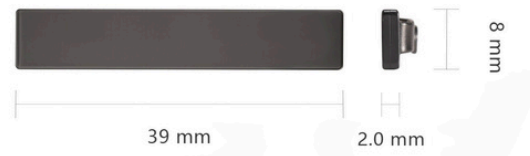


2660
Rack Plating, Nickel

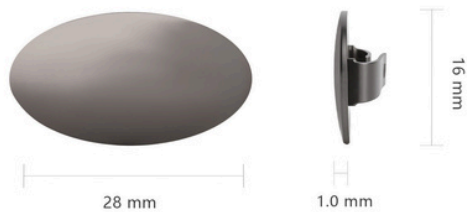
PLATES & TAGS



5116
Rack Plating, Nickel, Matt



2338
Rack Plating, Gunmetal, Matt



1835
Rack Plating, Gunmetal, Matt

MISCELLANEOUS



A2009
Rack Plating, Nickel-Free



2371
E-Coating, Glossy Black



A2060
E-Coating, Black, Matt

STRAPS & ACCESSORIES



Visit jinglobal.co for more.

SURFACE FINISHES

Electroplating(galvanic treatments): An electrochemical process that uses direct current to deposit a thin layer of metal onto a conductive substrate, enhancing properties like corrosion resistance, wear resistance, electrical conductivity, and aesthetics.

Colors: Nickel; Gunmetal; Chrome; Silver; Gold; Copper; Tin;
Nickel-Free;

Texture: Satin; Brushed; Antique;

Gloss Level: Glossy(Default); Matt;



Physical Vapor Deposition (PVD): A versatile vacuum coating process used to produce thin films by transitioning solid material into a vapor phase and condensing it onto a substrate.

Colors: Nickel; Gunmetal; Chrome; Silver; Gold; Copper; Tin;
Nickel-Free;

Texture: Satin; Brushed; Antique;

Gloss Level: Glossy(Default); Matt;

Baking paint (baked enamel): A surface treatment process that solidifies paint through high-temperature baking. The core steps include spraying paint and baking in a high-temperature oven (usually 60 ° C~200 ° C), allowing the paint film to quickly harden and form a durable and smooth surface.

Colors: Black; White; Beige; etc.;

Gloss Level: Glossy(Default); Matt;

E-Coating (electrophoretic painting): A high-tech process in which metal components are covered in a protective finish by submersing them in a chemical bath and applying an electrical current.

Colors: Black; ●

Gloss Level: Glossy(Default); Matt;

Jin Global
Jinghui Hardware Co., Ltd.



Contact

Lelystad, Netherlands | Guangzhou, China

Tel. +8618664546138

Website www.jinglobal.co

E-mail jinglobal.contact@gmail.com

